

Astralux 1000 vertical blind system



DESCRIPTION

The Astralux 1000 vertical blind system is available with 89mm for 127mm wide louvres in an extensive range of fabrics and colours including:

- Anti-microbial
- Black-out
- Dim-out
- Glare control
- Energy saving
- Head reflective
- Metallised
- Screen

CONTROL OPTIONS

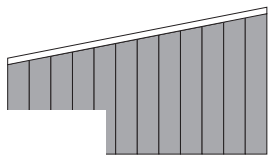
- Wand operation where a wand is fixed to the leading louvre and is used to traverse as well as tilt the louvres.
- Mono command option where one continuous chain traverses and tilts the louvres. Child safety devices available.
- Cord and chain where a continuous cord on the side of the blind traverses louvres and a continuous chain tilts the louvres. Child safety devices available.
- Fixed crank option which provides ease of operation from one side of the blind with a built in slip clutch which offers continuous movement of louvres (tilt and traverse).
- Motorised with low voltage and 240v systems for tilt only or full operation. inherently child safe.



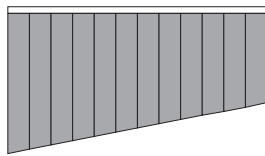
N10 SPECIFICATION

Vertical louvre blinds to be Astralux 1000 System with extruded aluminium headrail finished in white as standard. Operation of louvres by mono command wand* / motorised* / mono command chain* / cord and chain* / crank*. Fabric to be.....+ chosen from the Astralux range, colour to be+ Supplied and installed by an approved Astralux distributor. *Delete as applicable +Insert as applicable

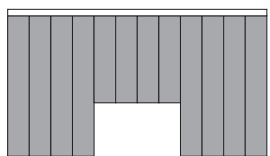
SHAPED BLIND OPTIONS



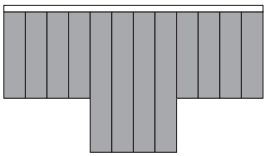
Angled Top



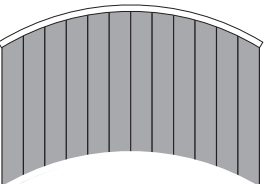
Angled Bottom



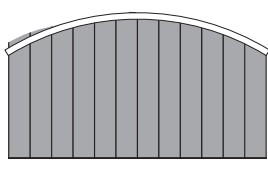
Shaped



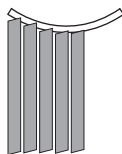
Shaped Bottom Edge



Arched Top & Bottom



Arched Top

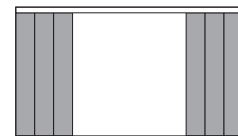


Curved Top

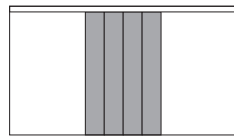
BUNCHING OPTIONS



Single Stack

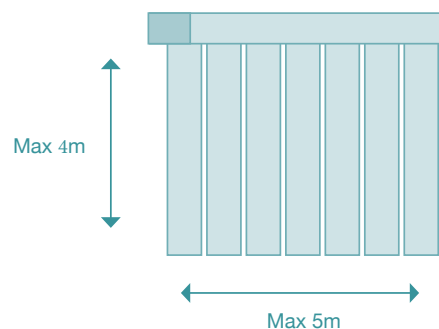


Split Draw



Centre Stack

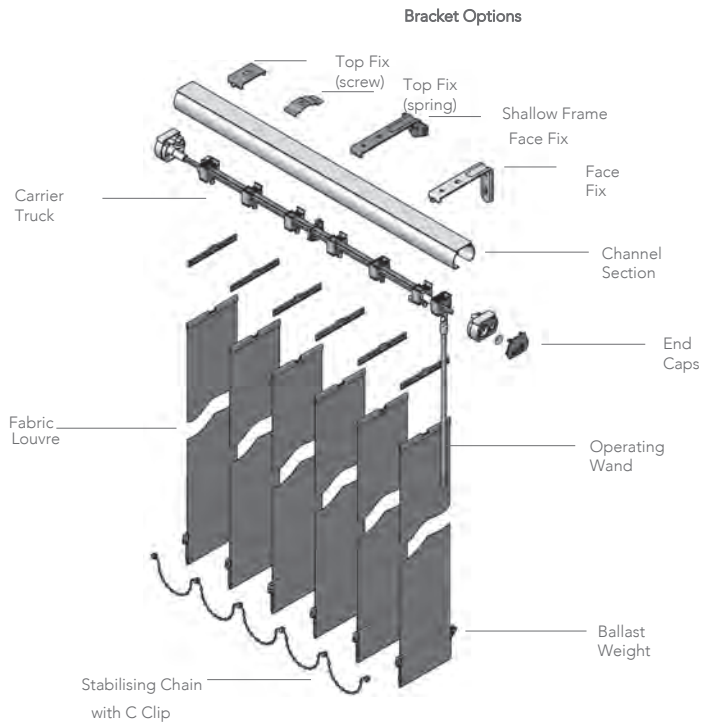
MAXIMUM BLIND SIZES



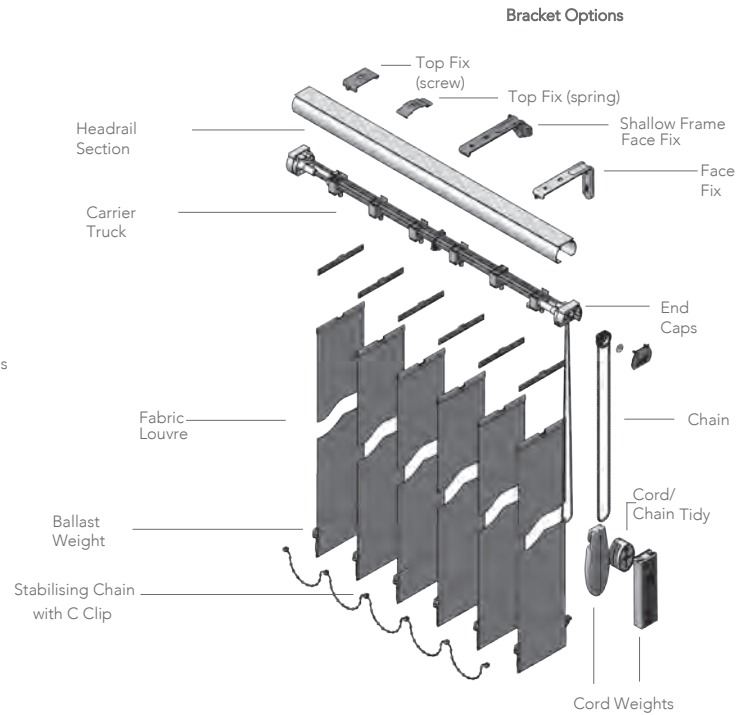
Astralux 1000 vertical blind system



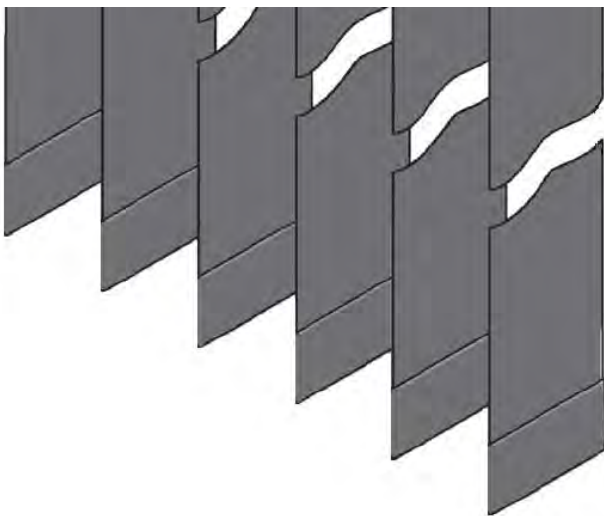
Wand Operation



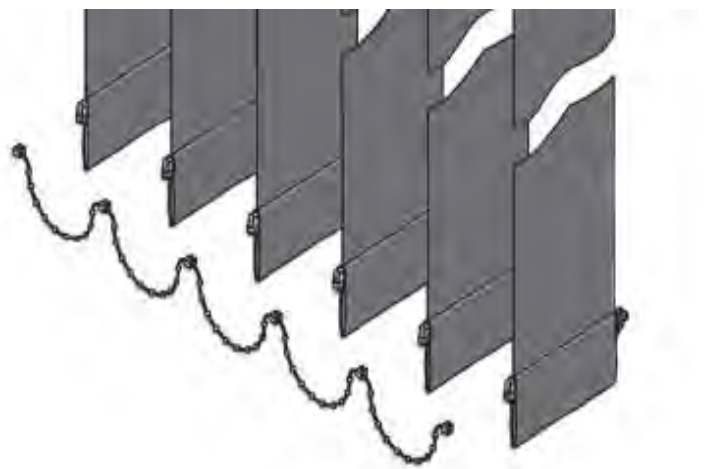
Cord and Chain Operation



Sealed Bottom Pockets



Bottom Link Chain

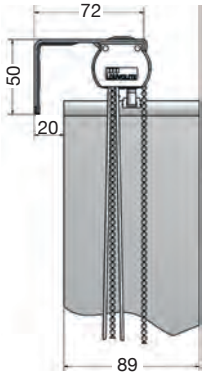


Astralux 1000 vertical blind system

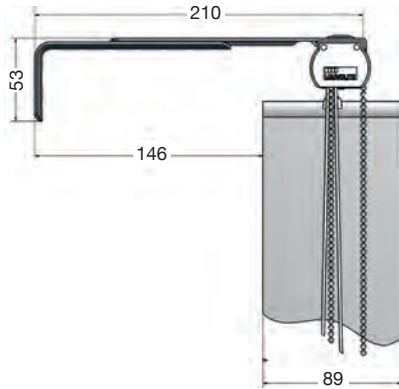


BRACKET DIMENSIONS

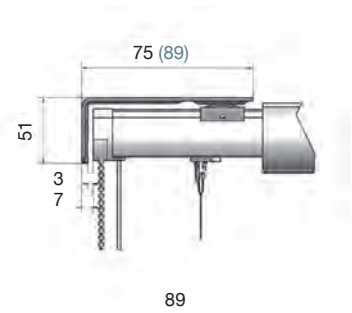
FACE FIX BRACKETS



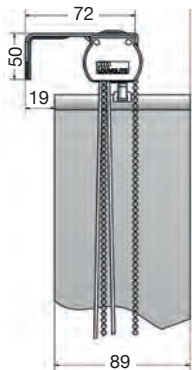
ADJUSTABLE FACE FIX BRACKETS



SIDE FIX BRACKETS



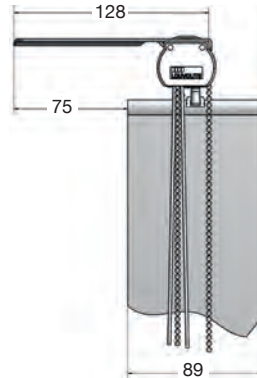
SHALLOW FRAME FACE FIX BRACKETS



TOP FIX BRACKETS (SPRING)



EXTENSION TOP FIX BRACKETS



PELMET BRACKETS



Astralux products are available from:



Rest of UK
Dearnleys Limited • Units 1 - 4, Sirdar
 Business Park, Flanshaw Lane • Wakefield •
 W. Yorkshire • WF2 9HX
 t • 01924 371 791
 e • info@dearnleys.com
 www.dearnleys.com



North West, West Midlands & Wales
Pentel Contracts Limited • 2nd Floor,
 Lowry Mills, Lees Street, Swinton •
 Manchester • M27 6DB
 t • 0161 872 7642
 e • info@pentel-contracts.com
 www.pentel-contracts.com

Astralux has a policy of continuous improvement and therefore reserve the right to amend ranges and specifications without notice. Your Astralux dealer will be pleased to assist you. Whilst we have taken care over the production of this information Astralux and its dealers cannot be held responsible for any errors or omissions.